

## Vulcan Decking



### Overview

Vulcan Decking is created from thermally modified New Zealand plantation timber. The thermal modification process means Vulcan Decking has enhanced stability, reduced resin content and is a beautiful homogeneous brown colour.

Wood species: Thermally Modified Radiata Pine (Pinus Radiata).

Profiles (mm): Graded to the reeded face.



DK16V 142x33



GT16 142x33

Sizes: Width x Thickness (mm)  
142x33mm

Lengths: 2.4-4.8m\*

\*Product is supplied as standard in 'random length' or otherwise lengths at Abodo's option. Specified fixed lengths may be available but are subject to conditions including minimum quantity, price premium and availability. Please check with Abodo prior to placement of order.

### Product specifications

Name: Abodo Vulcan Decking.

Quality: **Select Grade**/Equal to CE EN14915 GRADE A for use as claddings and BS1186:3 1990 Grade CSH and BS EN942 Grade J5 for use in joinery. Front face and edges virtually free of any defects but with one edge knot and one small face defect allowed per piece in 20% of boards only. Back side with some defects allowed.

Substrate colour: Chocolate brown (timber will weather to grey unless a pigmented coating is applied and maintained) this will vary depending on location.

Durability: Durability Class 1 (EN350-1).

Construction: Solid, mixed grain orientation.

Compatibility: Vulcan has little or no corrosiveness on most metals (equivalent to untreated softwood) and can be placed in contact with most building materials Normal PVA, PU, MUF glues and RF resins can be used.

Coating: Accepts most regular coatings including water and oil borne stains and paints. Up-take of coating into the timber is generally higher than regular pine. Specialist deck stains are recommended. Always test prior to application.

## Vulcan Decking

### Product specifications

Expected dimensional change in surface*	Width expansion	approx 3%
	Length expansion	approx 0.25%
	Thickness expansion	approx 1.5%
<small>Variation may occur between boards.  *Indicative tangential movement from 'dry' 7%MC to 'wet' fiber saturation approx 25% MC.</small>		
Moisture content:	Approx. 7% MC (at time of despatch from factory).	
Average Density:	~420 kg/m <sup>3</sup> .	
Fire:	Can be fire treated to Euroclass B-s2-d0 (s2 Smoke Production – d0 Flaming Droplets). BS EN 13823 & BS EN 11925-2 Single Burning Item Equivalent to UK "Class O" BS 476: Part 6 & BS 476: Part 7.	
Hardness:	Low (2.5kN Janka).	
Slip resistance:	0.59 - P4 (AS/NZS 4586:2013) – for travel perpendicular to reeded face.	
Warranty:	15 years against fungal decay – terms and conditions apply.	
Sustainability:	Forest Stewardship Council® (FSC®) Certified FSC MIX, FSC-C010962, SGS-COC-004944.	

### Product handling

- Prior to installation, keep deck boards covered to ensure protected from rain, dust, grit, dirt and direct sunlight. Elevated 150mm off the ground on bearers.
- During installation wear safety glasses, gloves, safety footwear and ear protection as appropriate.
- When cutting, do not breathe in wood dust – always wear a dust mask and use extraction when cutting.
- Consult with a design professional, engineer or architect when building a deck with elevated or critical structural elements.
- Adhere to UK building regulations and constructions standards in all cases.

### Fixing overview

- When installing decking take reasonable precautions to protect the surface from damage during installation eg: by work boots – use plywood protective sheets or similar.
- High quality stainless steel fixings must be used in all cases.
- Pre-drilling of deck boards is necessary at board ends only. Drill hole through deck board and into joist using a drill bit with approx 1/3 less thickness than the fastener.
- Bevel and seal cut ends and exposed timber with a suitable water repellent preservative.
- As this is dry timber, some expansion of the product must be accounted for during installation and in service. A 6mm spacing is recommended between boards to allow for expansion.
- Fix decking methodically in rows, starting from one edge of the deck and working your way to the other edge row by row. Avoid joints in a line and ideally no more than 2 joints fixed across one joist.
- It is recommended to fix deck boards with ribbed face up, as this helps to mask surface cracking due to weathering.
- All end grains and notches must be sealed using Abodo's Protector – End Seal or equivalent water repellent preservative.
- Optionally for better long term performance and to maintain colour, apply penetrating decking oil or stain. Leave the timber to weather a few weeks and wash down prior to coating according to manufacturers instructions. Decking must be dry prior to applying any coatings.
- Sub floor and joists should be of appropriate durability class material and the design should allow for adequate airflow around underside of boards, with minimum **300mm clearance above the ground**. Damp substrates should be water proofed with suitable membrane and allow minimum 5 degree fall to prevent rising dampness.

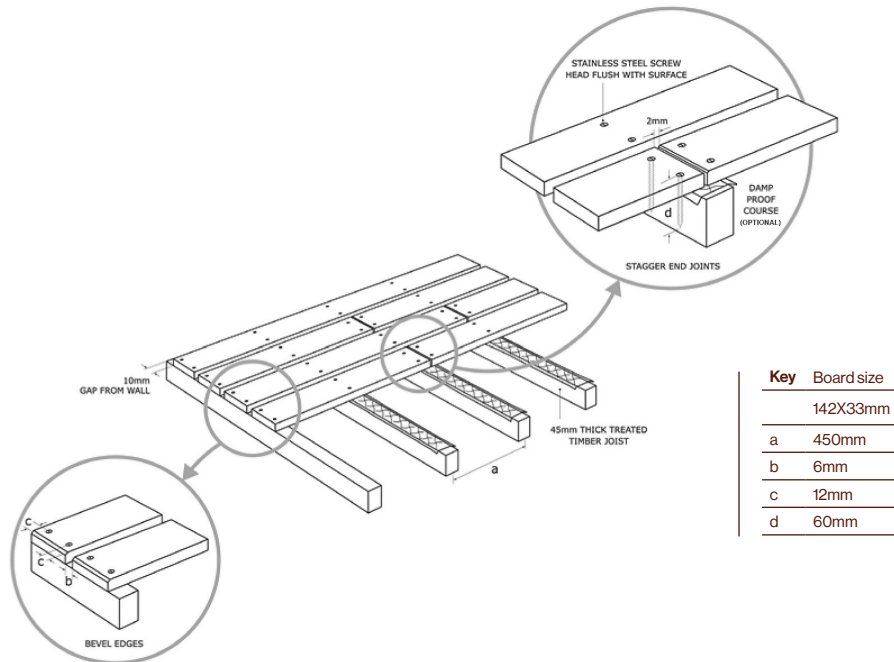
# Vulcan Decking

## Board size

## Fixing recommendations

142x33mm

- Space joists at 450mm centres maximum.
- Use two 60mm x 5mm self drilling self-countersink head screws per joist. Nail fixing is not recommended.
- Position fixings approx 18mm from board edge and 12mm from ends. Pre-drilling at board ends is recommended.
- Allow **6mm** gap between board edges and 1-2mm spacing at butt ends.



## Maintenance

- Wash down regularly (at least every 6 months) with mild detergent, warm water and soft brush.
- All wood will go grey after extended exposure to the weather. Greying may vary dependent on moisture and UV exposure.
- Surface cracking or 'checking' may occur after exposure to the weather, this can be reduced by using a quality decking stain and by installing boards with ribbed face up.
- Re-apply coating as required every 12-18 months.
- Mould growth will occur on timber, especially in high humidity conditions, for heavily soiled or mouldy areas use timber cleaner or oxygenating cleaner then apply long acting mould inhibitor.

## Accessories

Abodo Protector – Water Borne 4L, 10L:



**E** info@abodowood.co.uk

**W** abodowood.co.uk